

#### Special Features

- Stainless steel case
- Rugged construction
- Standard followed in general EN 837-1

#### Application

- Hydraulic
- Turbines
- Petrochemical industries
- Hydro-cleaning machines
- Refrigerating plants and gaseous / liquid media that will not obstruct the pressure system.

#### Specifications

##### Standard Version : SS Internals: 40 mm

Accuracy	: ±2.5% of F. S.
Ambient temperature	: - 25°C to + 65°C
Process temperature	: Max 180°C
Operating pressure	: 75 % of Scale Value
Over pressure limit	: 125% of Max. Scale Value

Case & Bezel	: AISI 304 SS (Push Fit type)
Socket	: AISI 316 SS
Bourdon	: AISI 316L SS
Movement	: AISI 304 SS
Joints	: Tig Argon Arc Welding

Protection	: IP 55
Dial	: Aluminium, black graduation on white background
Pointer	: Black Coloured , Fixed
Window	: Glass

##### Standard Version : Brass Internals: 40 mm

Accuracy	: ±2.5% of F. S.
Ambient temperature	: - 20°C to + 65°C
Process temperature	: Max 150°C
Operating pressure	: 75 % of Scale Value
Over pressure limit	: 125% of Max. Scale Value

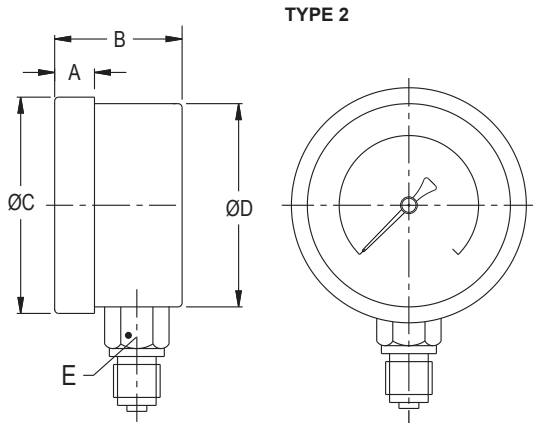
Case & Bezel	: AISI 304 SS (Rolling type)
Socket	: Copper Alloy
Bourdon	: Copper Alloy
Movement	: Copper Alloy
Joints	: Alloy Brazing / Soldering

Protection	: IP 65
Dial	: Aluminium, black graduation on white background
Pointer	: Black Coloured , Fixed
Window	: Glass

#### Temperature effect:

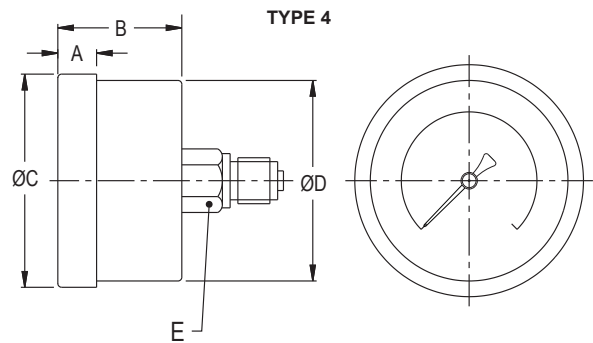
The variation of indication caused by effects of temperature is to be calculated by below formula; which is to be added in the specified accuracy while measurement :- Formula :  $\pm 0.04 \times (t_2 - t_1) \% \text{ of F. S.}$  where  $t_1$  = reference temperature (+20°C) and  $t_2$  = ambient temperature in °C.

**Dimensions - standard version**



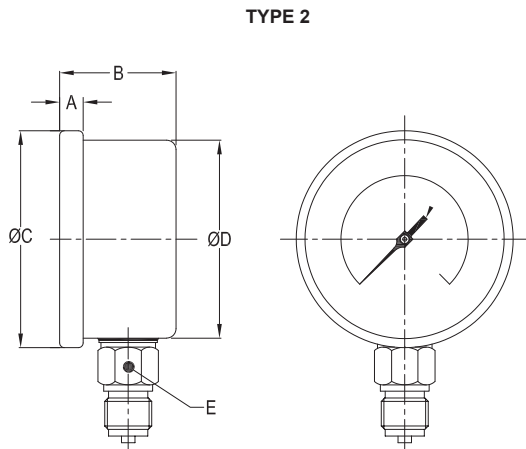
**Push Fit type (Standard)**

NS	A	B	ØC	ØD	E	Weight in gram (With Box)
40	9	25	42.5	41	A/F 11	90.0



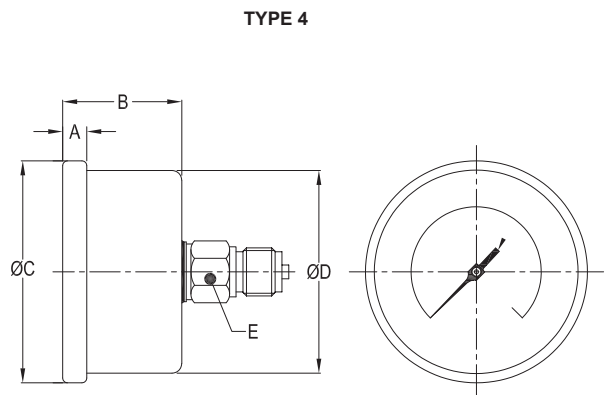
**Push Fit type (Standard)**

NS	A	B	ØC	ØD	E	Weight in gram (With Box)
40	9	25	42.5	41	A/F 11	100.0



**Rolling type**

NS	A	B	ØC	ØD	E	Weight in gram (With Box)
40	4.7	26	46.2	41	A/F 11	90.0



**Rolling type**

NS	A	B	ØC	ØD	E	Weight in gram (With Box)
40	4.7	26	46.2	41	A/F 11	100.0

**Range Table**

Note : We offer Pressure ranges, Vacuum ranges and Compound ranges in Scales like kPa, MPa, bar, psi, kg/cm<sup>2</sup> & Dual Scale like kPa with psi, kPa with bar, bar with psi or scales as per the requirement can be provided on request. Following are the example tables for kg/cm<sup>2</sup> & psi scales.

**Range with nominal sizes**

Nominal size

Range (psi with kg/cm<sup>2</sup>)

psi	kg/cm <sup>2</sup>
-30 inHg / 0	-760 mmHg / 0
0/15 psi	0/1 kg/cm <sup>2</sup>
0/30 psi	0/2 kg/cm <sup>2</sup>
0/60 psi	0/4 kg/cm <sup>2</sup>
0/100 psi	0/7 kg/cm <sup>2</sup>
0/150 psi	0/10 kg/cm <sup>2</sup>

